

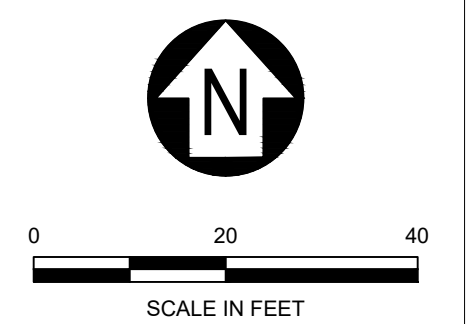
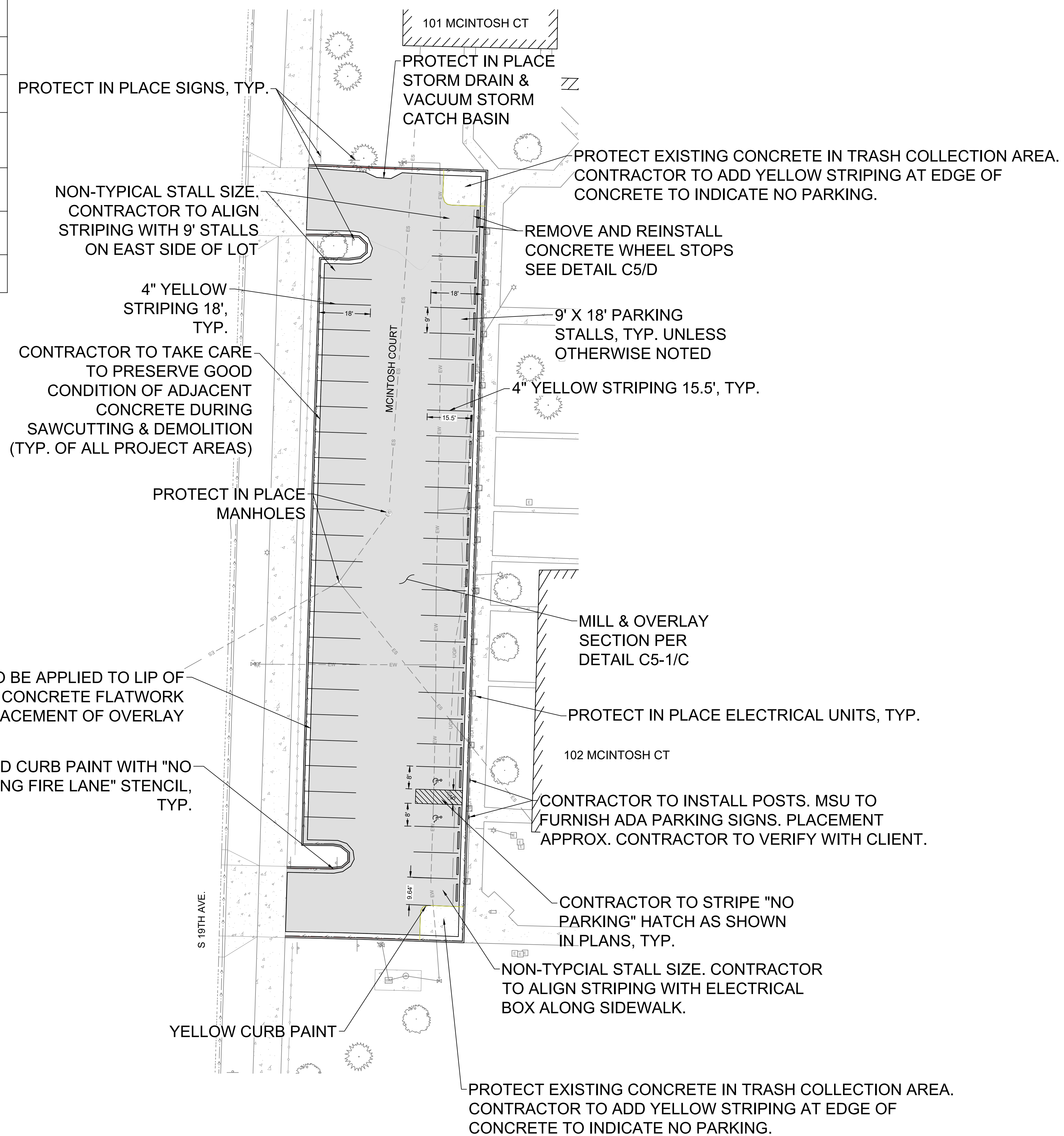




QUANTITY ESTIMATES		
UNITS	QUANTITY	UNIT
4" PAINT STRIPING	784	LF
"NO PARKING" HATCHED DESIGNATION	90	SF
YELLOW CURB PAINT	45	LF
RED CURB PAINT	143	LF
LOT AREA	13,797	SF

**NOTES:**

- ALL WHEEL STOPS ARE TO BE EXAMINED WHEN REMOVED. THOSE IN GOOD CONDITION WILL BE REINSTALLED, AND MSU IS TO BE NOTIFIED OF ANY WHEEL STOPS IN POOR CONDITION AND IN NEED OF REPLACEMENT.



MSU-CPDC 2024-1-18 (Rev. 2024-1-18) - 100% Final Production - 100% Final Production - 100% Final Production



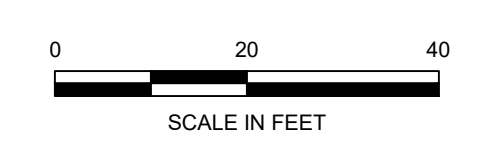
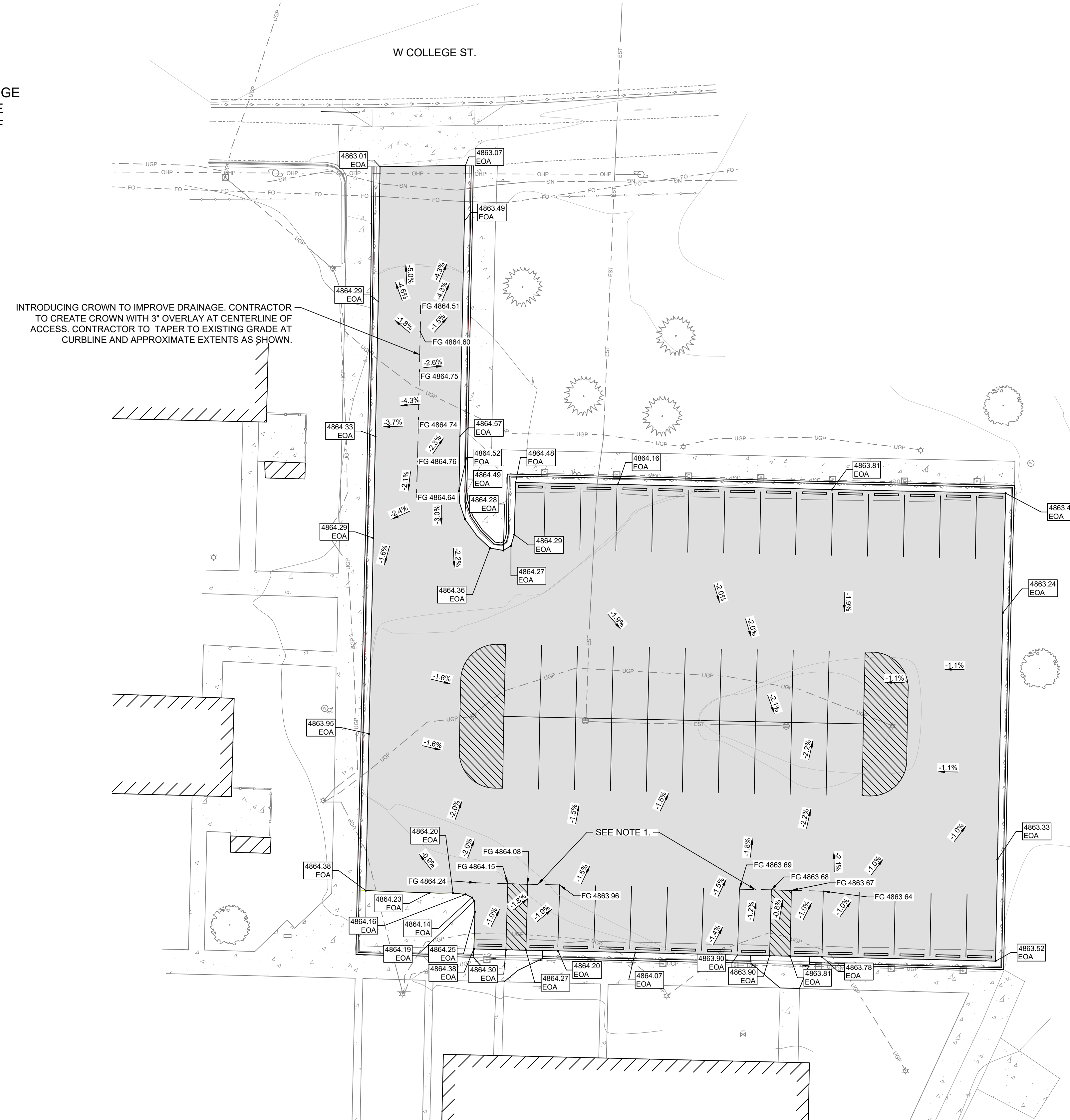


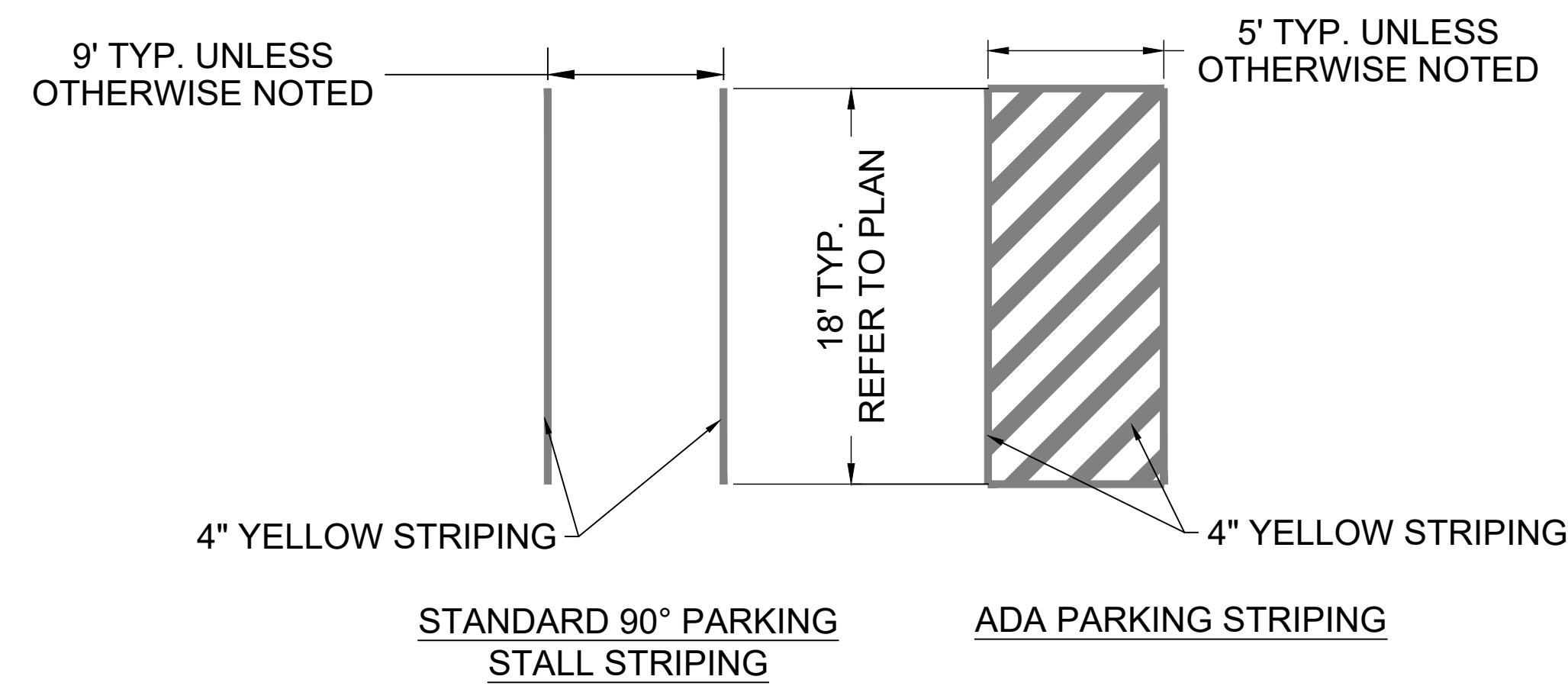
**MILL & OVERLAY LOTS**  
2024

REV.	DESCRIPTION	DATE

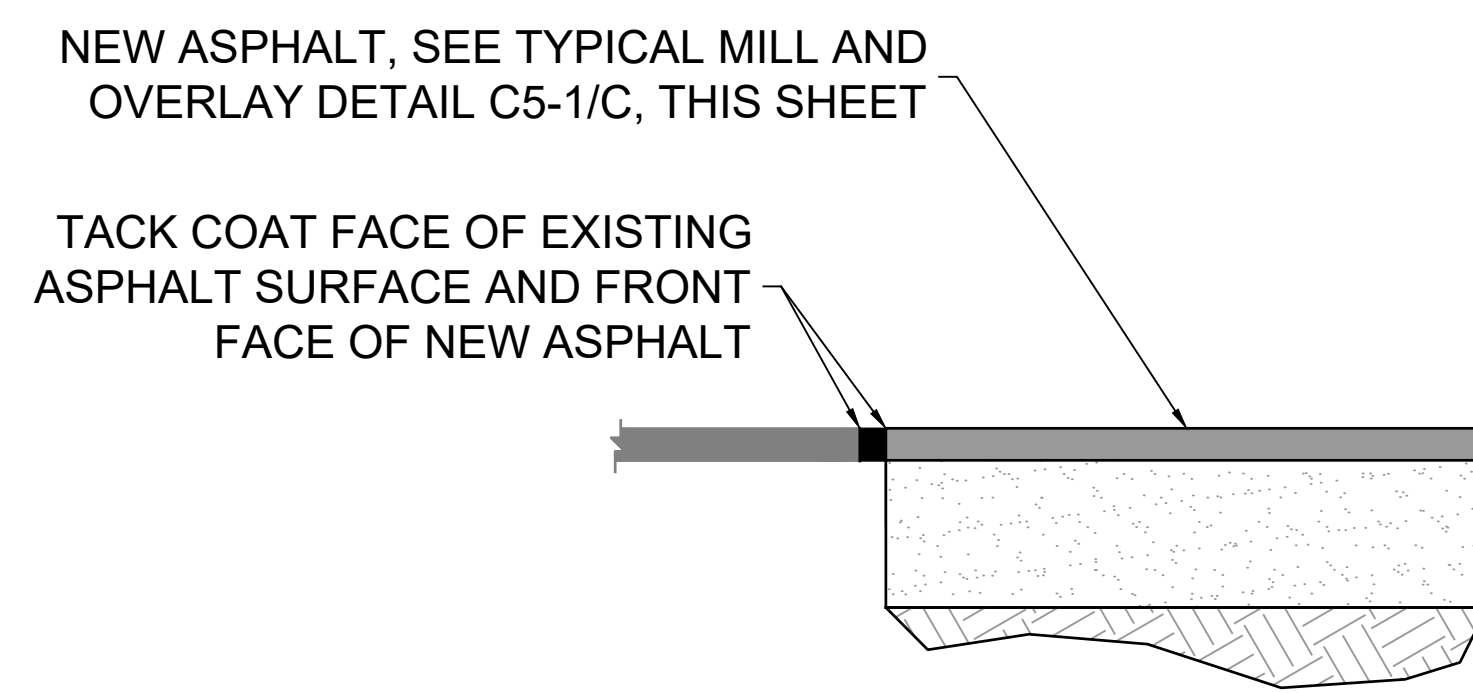
**NOTES:**

1. THICKENING OVERLAY TO 3" ALONG ADA STALLS TO REDUCE SLOPES IN AND AROUND ADA STALLS. CONTRACTOR TO CREATE 3" OVERLAY AT EDGE OF ADA STALLS. CONTRACTOR TO TAPER OVERLAY TO EXISTING GRADE TOWARD THE NEAR CURB, OR TAPER TO STANDARD OVERLAY DEPTH OF 1.5" FOR REST OF PARKING LOT.

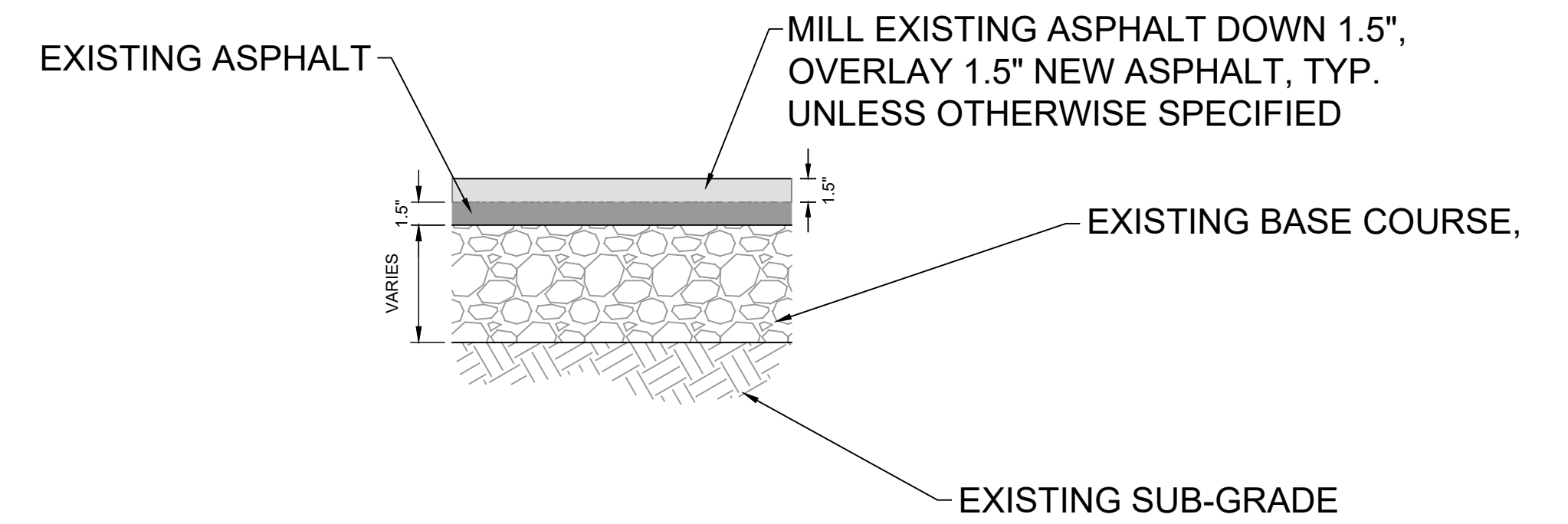




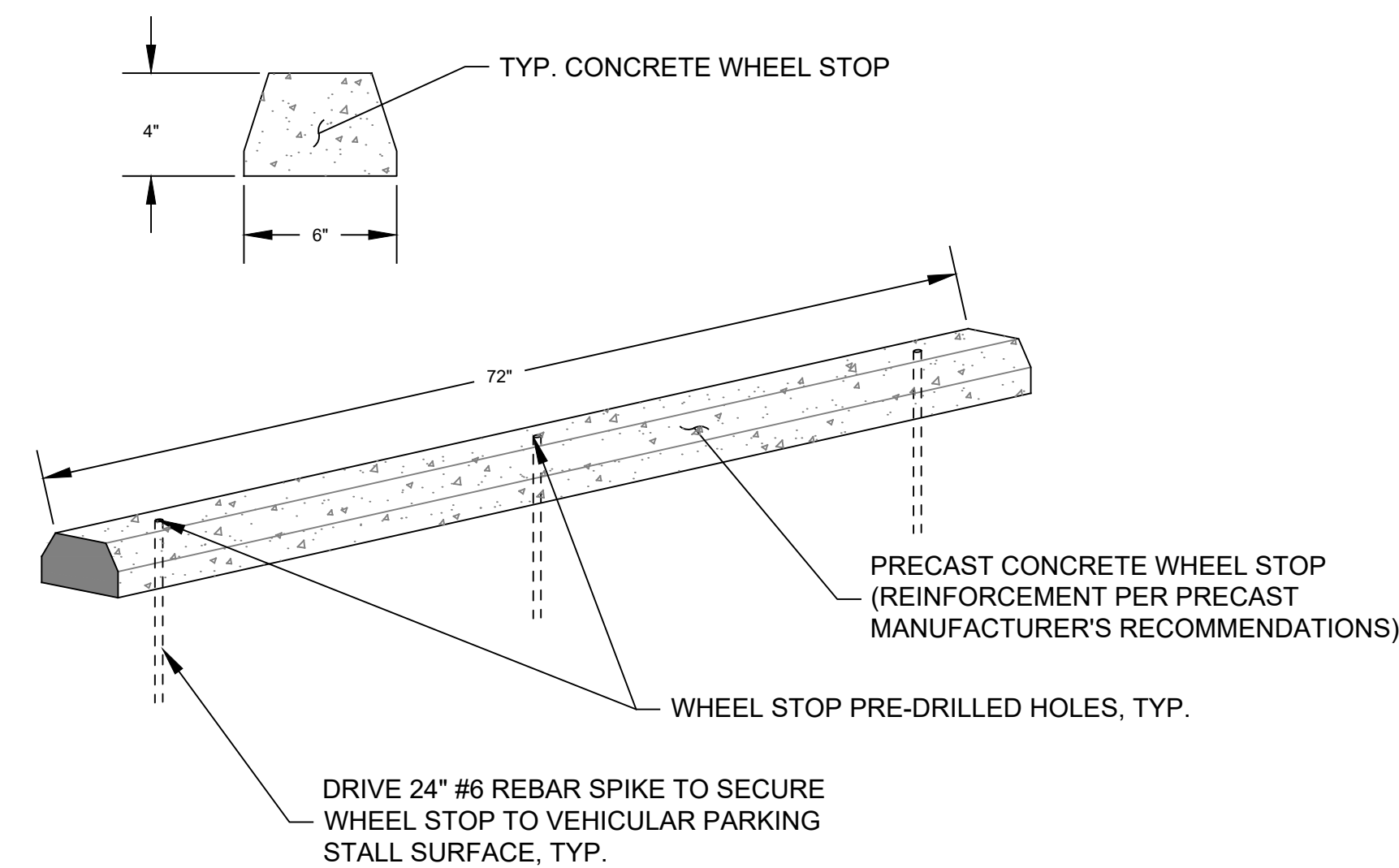
**A** PARKING LOT STRIPING DETAIL  
C5-1 NTS



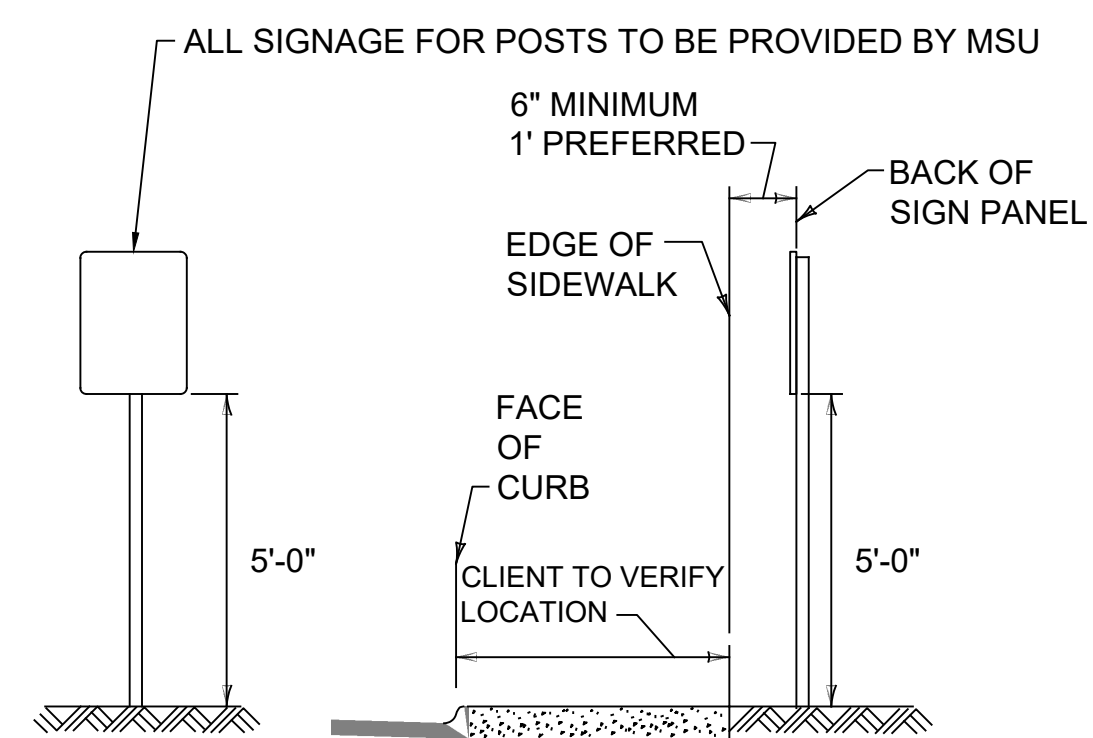
**B** TYPICAL ASPHALT CUT  
C5-1 NTS



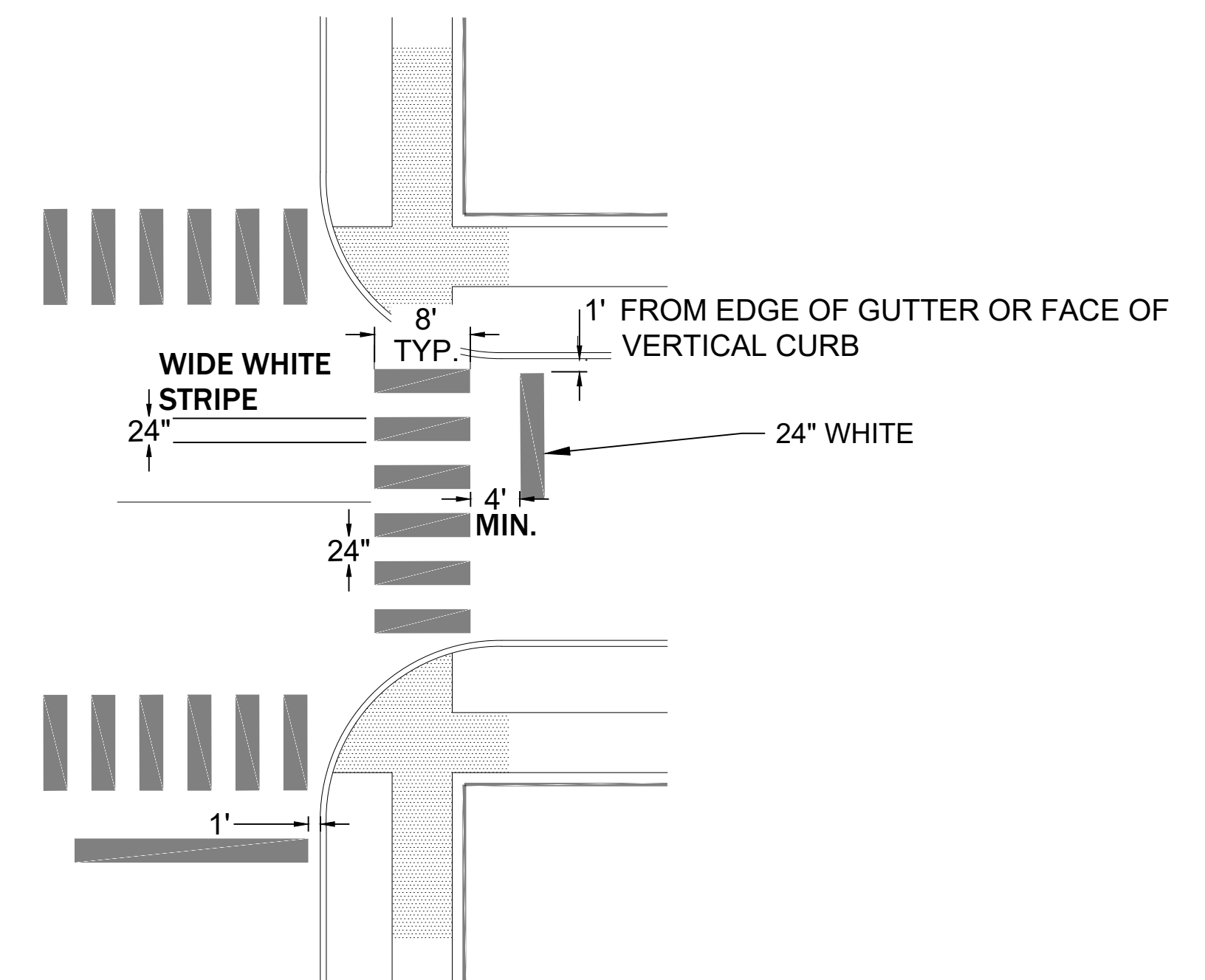
**C** TYPICAL MILL & OVERLAY DETAIL  
C5-1 NTS



**D** CONCRETE WHEEL STOP DETAIL  
C5-1 NTS



**E** POST INSTALLATION DETAIL  
C5-1 NTS



**F** PEDESTRIAN CROSS WALK MARKINGS & 24" STOP BAR  
C5-1 NTS

REV.	DESCRIPTION	DATE